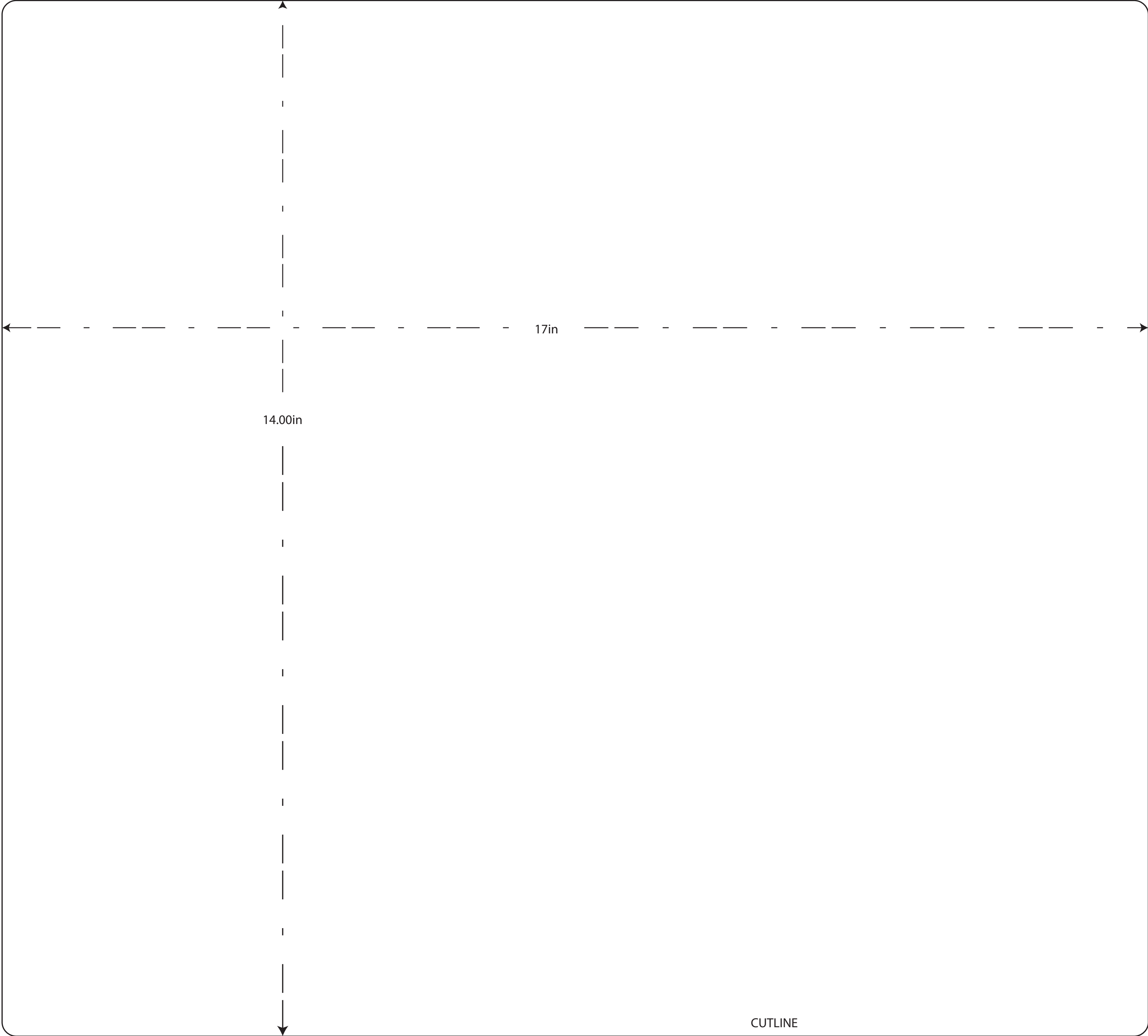


# U-19LHREC Model - SN 7466 and higher

OUTLINE OF THE INSTALLED UNIT



18.10in

14.00in

17in

19.25in

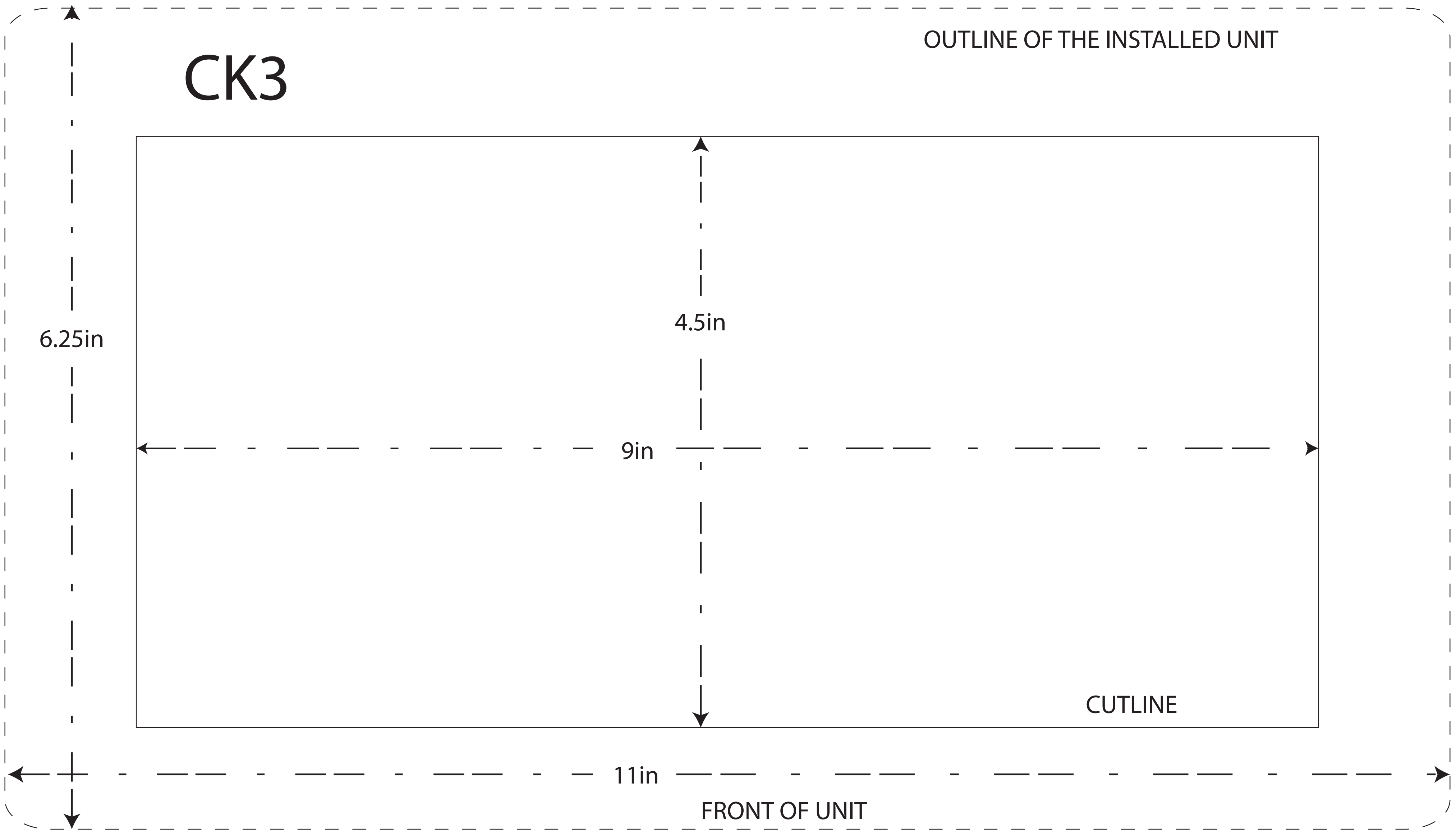
CUTLINE

FRONT OF UNIT

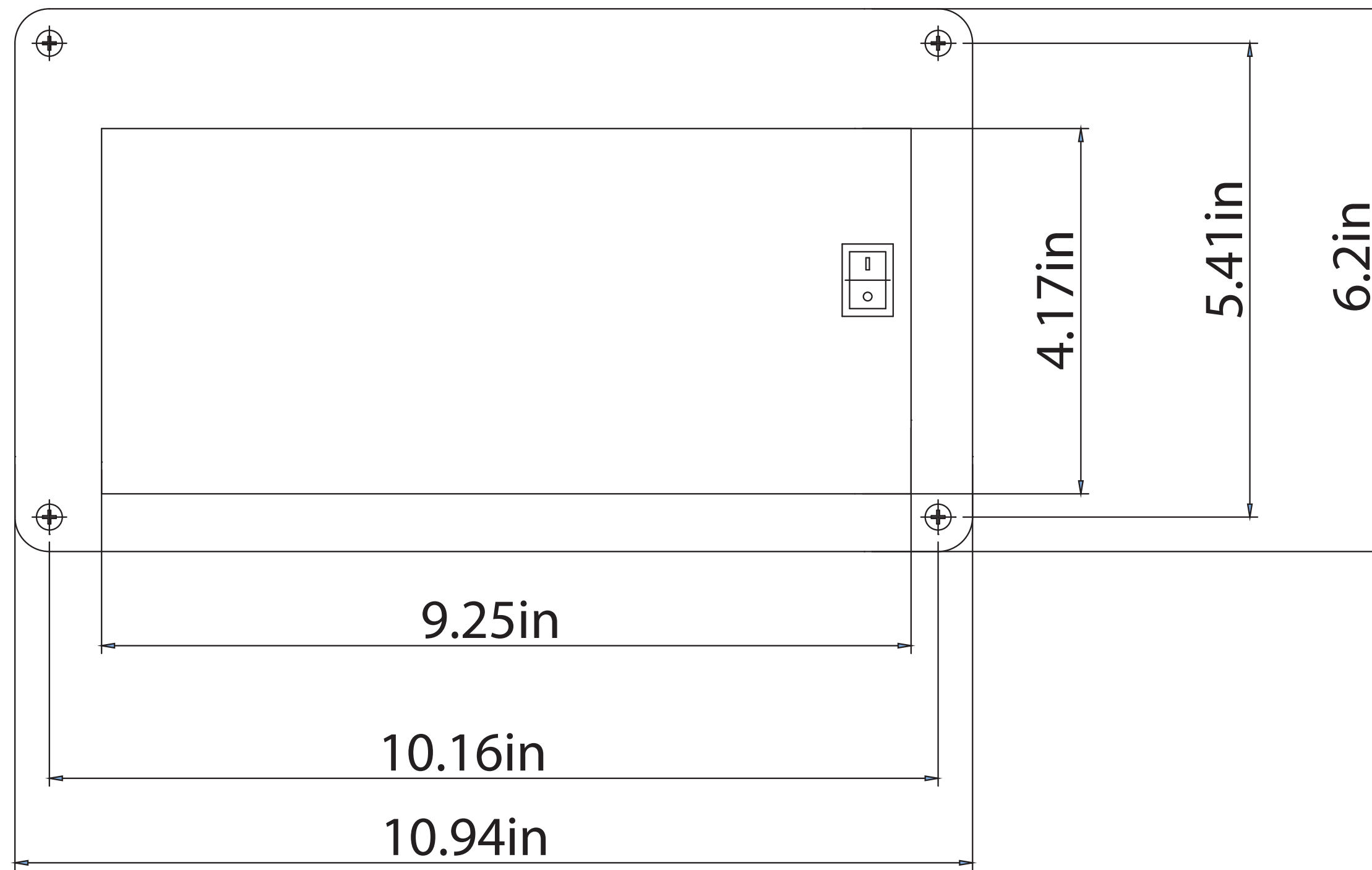


For Tech Support, email [Repair@BrandMax.us](mailto:Repair@BrandMax.us) or call 844-874-2532 Ext. 3

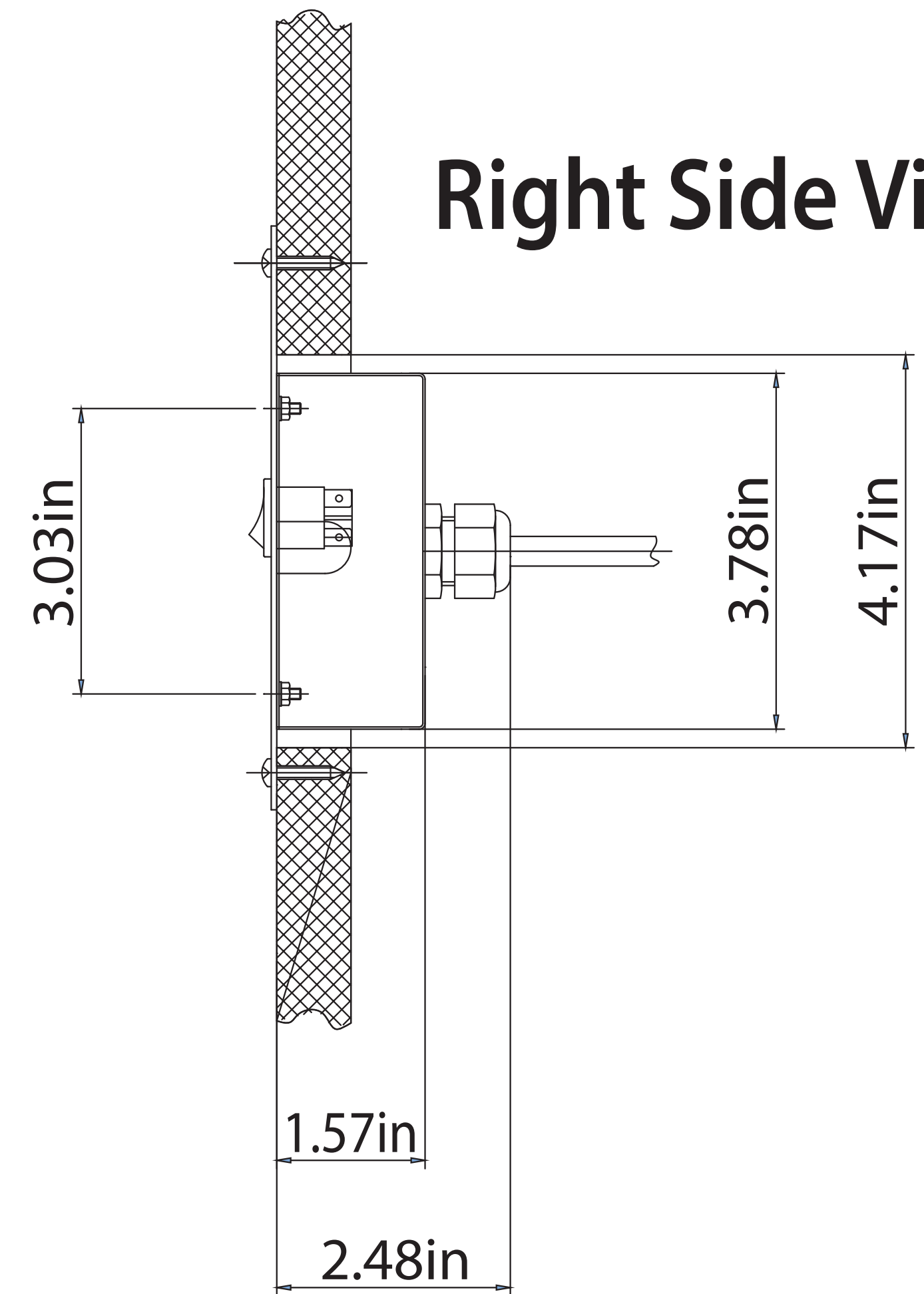




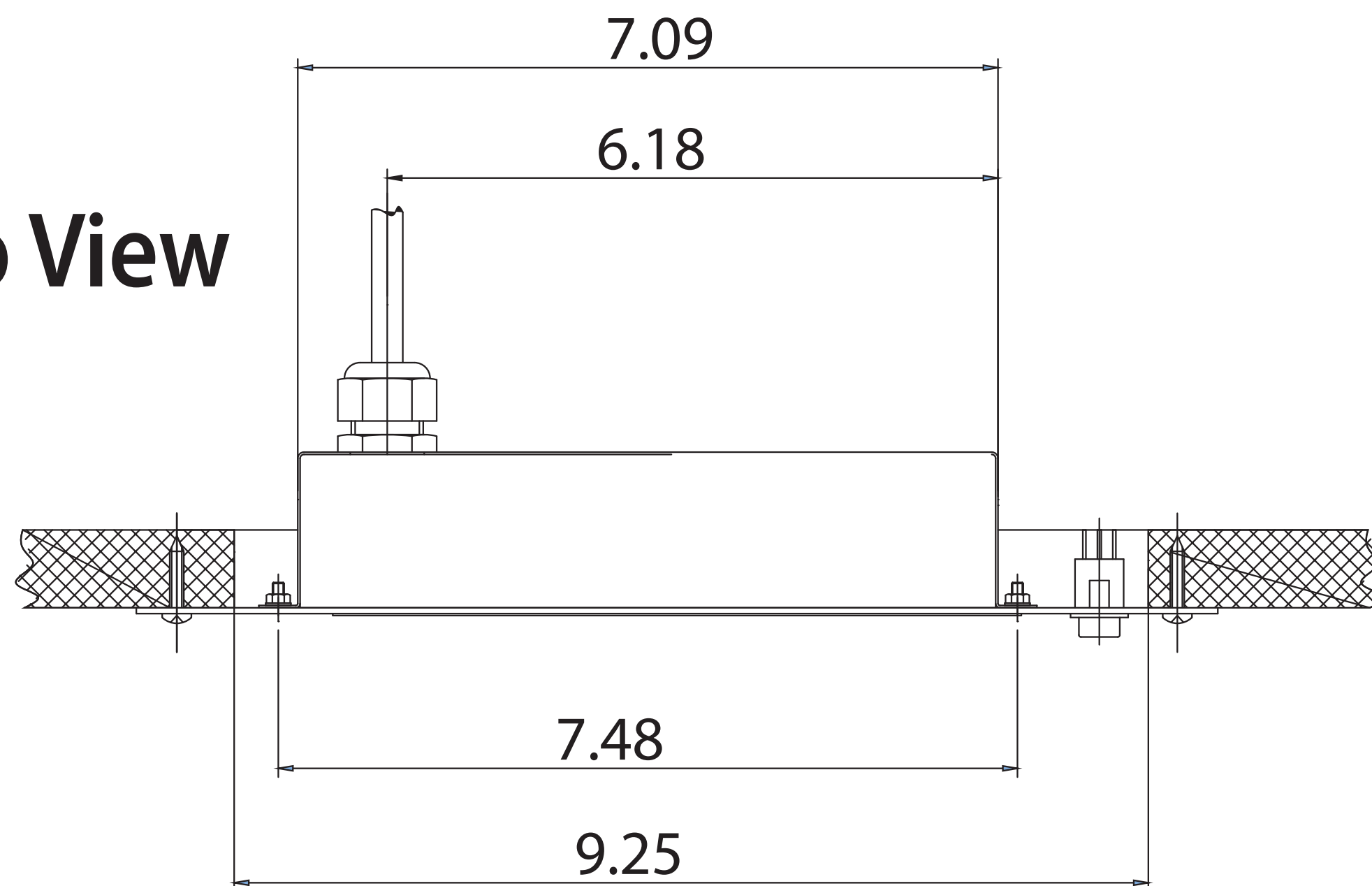
# Front View



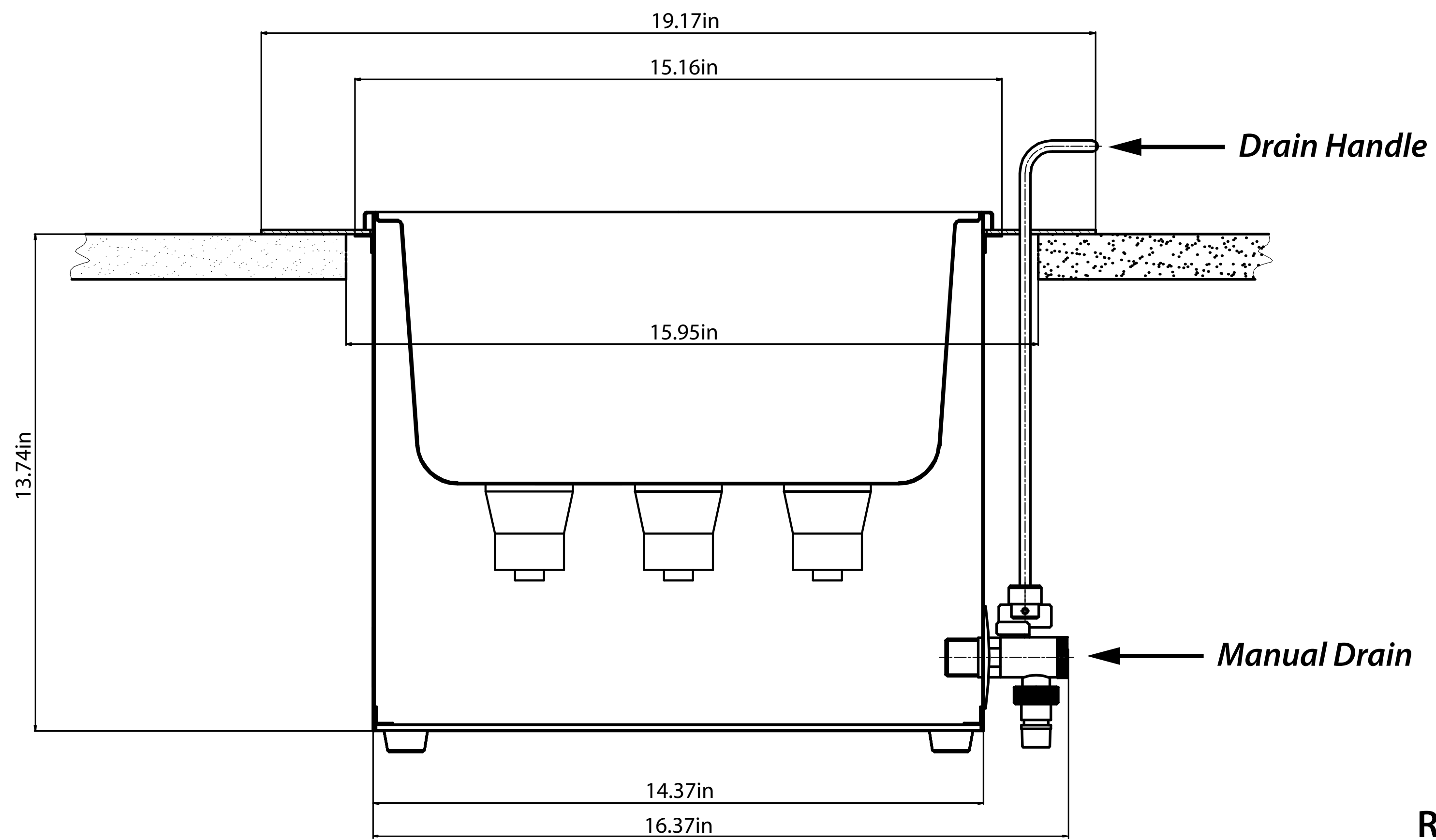
# Right Side View



# Top View



**Front View**



**Right Side View**

**Top View**

